

19mm

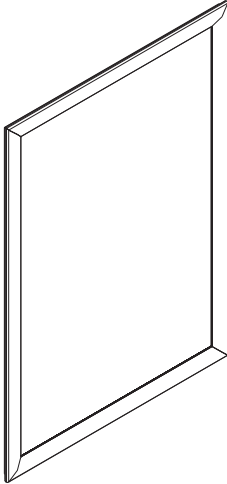


Mât d’affichage permettant l’utilisation de différents supports.

Le mât peut être utilisé en simple ou double face pour l’affichage ou/et également en porte-brochure (lutrin).

MAT D'AFFICHAGE MULTIFONCTIONS

FREE STANDING LEAFLET DISPLAY



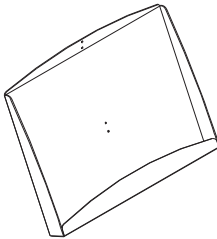
MATERIAL: Silver anodised aluminium **PROFILE:** 30 mm 45° - 30 mm round

| ANGLE 45 ° | ARRONDI/ROUND | EXIERNAL (x-y) | POSTER | COPY |
|------------|---------------|----------------|---------------|--------------|
| UFSI005000 | UFSI2551000 | 462 X 636 mm | 420 X 594 mm | 401 X 575 mm |
| UFSI004000 | UFSI010000 | 636 X 883 mm | 594 X 841 mm | 575 X 822 mm |
| UFSI006000 | UFSI012000 | 542 X 742 mm | 500 X 700 mm | 481 X 681 mm |
| UFSI008000 | UFSI014000 | 742 X 1042 mm | 700 X 1000 mm | 681 X 981 mm |

WEIGHT **PACKING SIZE**

| ANGLE 45 ° | ARRONDI/ROUND | WITHOUT PACKING | WITH PACKING | *W X H X D |
|------------|---------------|-----------------|--------------|--------------------|
| UFSI005000 | UFSI011000 | 1,150 kg | 1,500 kg | 480 X 680 X 31 mm |
| UFSI004000 | UFSI010000 | 2,100 kg | 2,750 kg | 660 X 910 X 31 mm |
| UFSI006000 | UFSI012000 | 1,600 kg | 2,200 kg | 560 X 760 X 31 mm |
| UFSI008000 | UFSI014000 | 2,750 kg | 3,000 kg | 760 X 1060 X 31 mm |

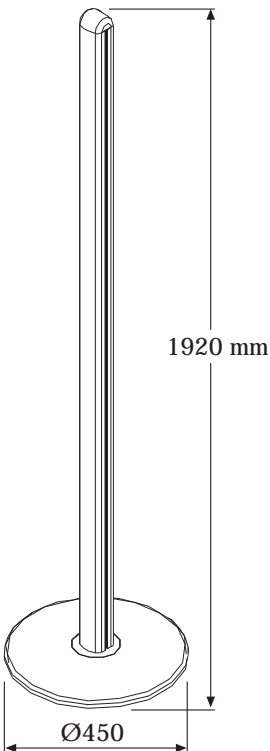
*W:Width H: Height D: Depth



MATERIAL: Powder coated steel & acrylic shelf

| ARTICLE | CAPACITY | WITHOUT PACKING | WITH PACKING | *W X H X D |
|------------|--------------------|-----------------|--------------|-------------------|
| UFSI002000 | 2XA4 steel shelf | 1,600 kg | 2,100 kg | 360 X 470 X 60 mm |
| UFSI003000 | 2XA4 acrylic shelf | 1,100 kg | 1,600 kg | 360 X 470 X 60 mm |

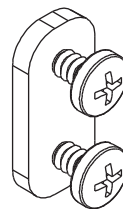
*W:Width H: Height D: Depth



MATERIAL: Silver anodised aluminium

| ARTICLE | | WITHOUT PACKING | WITH PACKING | *W X H X D |
|------------|-----------|-----------------|--------------|-------------------|
| UFSI001000 | Main body | 6,300 kg | 6,800 kg | 80 X 1950 X 90 mm |
| UFSI001001 | Flanp | 2,300 kg | 2,700 kg | 470 X 470 X 50 mm |

*W:Width H: Height D: Depth



SHELF&FRAME CONNECTOR

ARTICLE

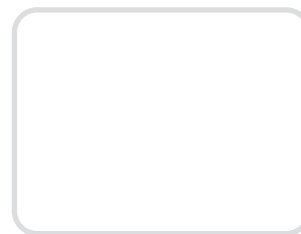
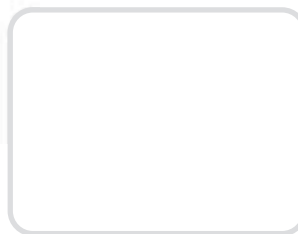
UYUP073000

Article livré en kit avec la notice de montage.

MAT D'AFFICHAGE MULTIFONCTIONS

FREE STANDING LEAFLET DISPLAY

19mm

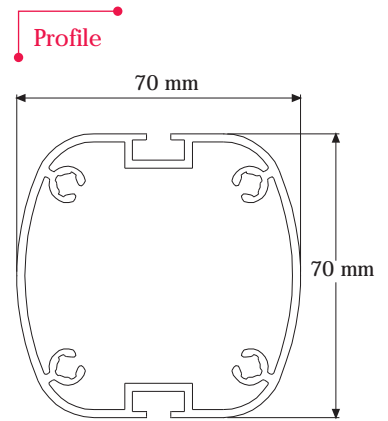
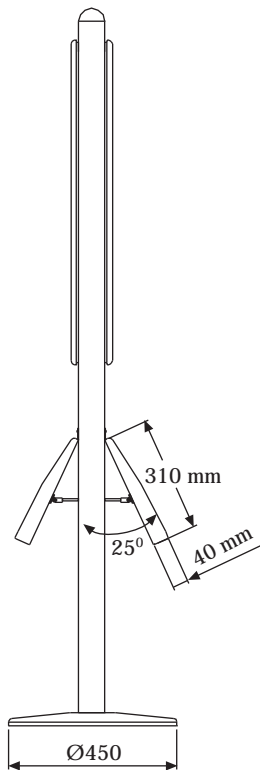
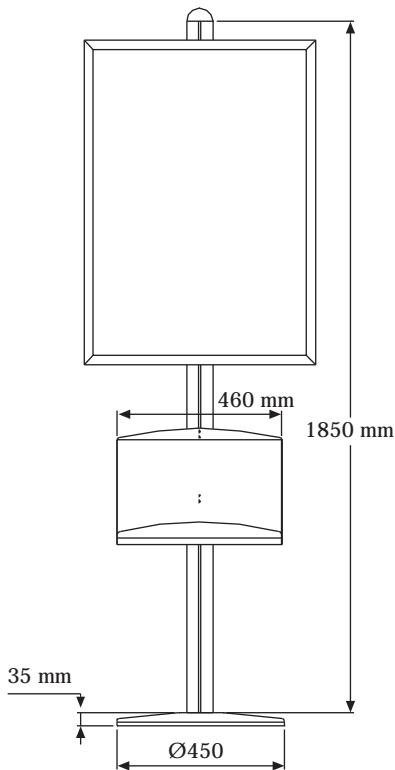
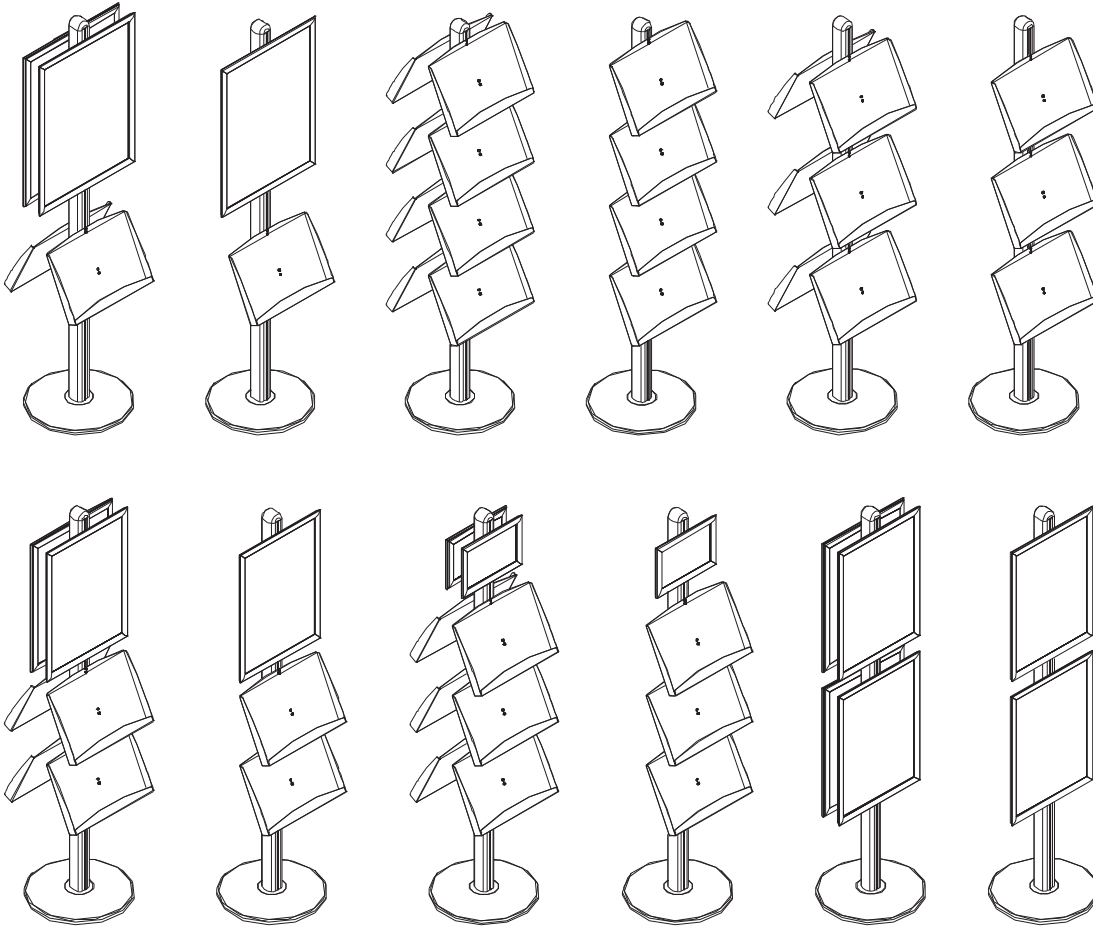


An ideal brochure stand that allows various different models for indoor use. The channels on both sides of the central pole hold single or double sided frames and shelves alone or all at the same time. The frames are suggested either in 30 mm or 32 mm profiles. The powdercoated steel shelves are 1,2 mm thickness, and the clear acrylic shelves are 4 mm clear acrylic. Each shelf has 2 x A4 capacity.

MAT D'AFFICHAGE MULTIFONCTIONS

Exemples d'application possible.

FREE STANDING LEAFLET DISPLAY



Article livré en kit avec la notice de montage.
Product is packed unassamble