

19mm



UZZTAC1001

Zig-Zag de 1620 mm de haut. Profilé en Aluminium. Plexi 10 mm d'épaisseur.

Height 1620 mm without header.

Legs are made of aluminium ellipse profile, shelves are made of 10 mm acrylic.

# ZIG - ZAG

ZICK - ZACK

**MATERIAL:** Silver anodised aluminium

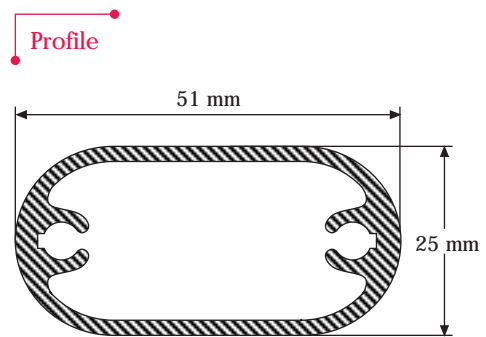
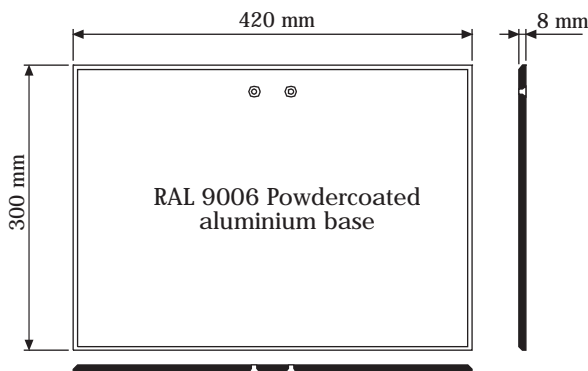
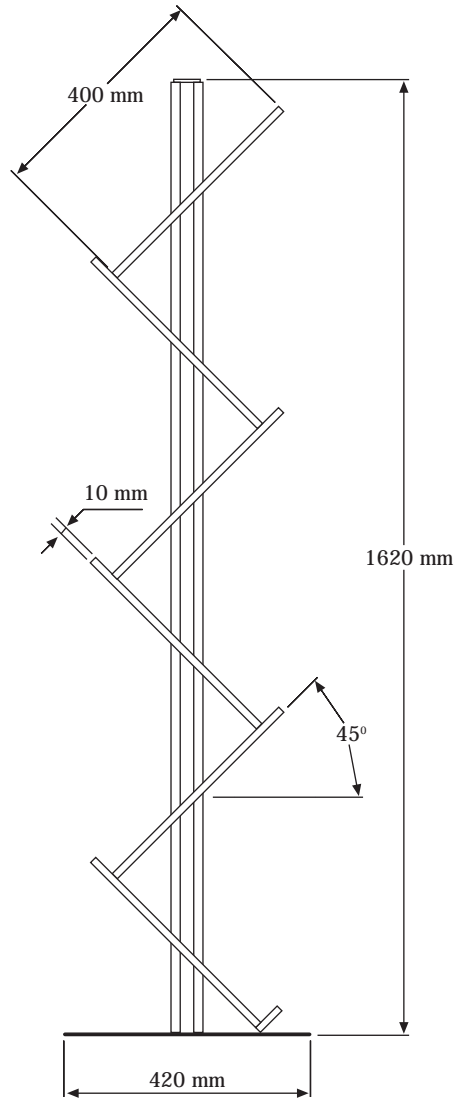
**SHELF:** Acrylic

ATRICLE	MODELS	CAPACITY
UZZIAC1001	single leg	6 X A4

WEIGHT	
WITHOUT PACKING	WITH PACKING
11,000 kg	11,350 kg

PACKING SIZE *W X H X D	
SHELF & FLANP	ELIPS PROFIL
330 X 440 X 130 mm	70 X 1670 X 50 mm

\*W:Width H: Height D: Depth



Livré en kit avec la notice de montage.

The product is packed unassembled with an easy mounting instruction sheet.

