



UBSSC10N44 (Double face 4 x 4)



UBSSC10N24 (Double face 2 x 4)



UBSSD10N24 (Mural)

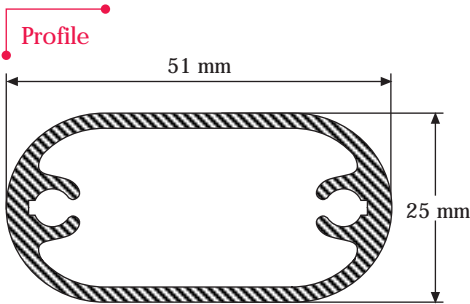
Porte-brochure autoportant permettant de présenter de 8 à 32 brochures en même temps. Possibilité de rajouter des roulettes. Existe en simple et double faces. Porte-brochure (lutrin) en plexi ép. 4mm. Profilé en aluminium. A brochure holder that is designed to present minimum 6 maximum 32 brochures at the same time in the stores, galleries and banks. When used with 4 wheels it is easily moved. Single or double faced options are present. Transparent shelves are made of 4 mm acrylic, the legs are made of aluminium.

# PORTE-BROCHURE AUTOPORTANT

BROCHURE SETS

MATERIAL: Silver anodised aluminium & acrylic shelf				WEIGHT		PACKING SIZE
ARTICLE	CAPACITY	X	X1	WITHOUT PACKING	WITH PACKING	*W X H X D
UBSSC10N24	16 X A4 double sided	440 mm	546 mm	6,000 kg	8,000 kg	560 X 1780 X 80 mm
UBSST10N24	8 X A4 single sided	440 mm	546 mm	11,000 kg	13,000 kg	560 X 1780 X 70 mm
UBSSC10N34	24 X A4 double sided	660 mm	766 mm	7,000 kg	9,000 kg	780 X 1780 X 80 mm
UBSST10N34	12 X A4 single sided	660 mm	766 mm	13,000 kg	15,000 kg	780 X 1780 X 70 mm
UBSSC10N44	32 X A4 double sided	880 mm	986 mm	8,000 kg	10,000 kg	1000 X 1780 X 80 mm
UBSST10N44	16 X A4 single sided	880 mm	986 mm	17,000 kg	19,000 kg	1000 X 1780 X 70 mm

\*W:Width H: Height D: Depth

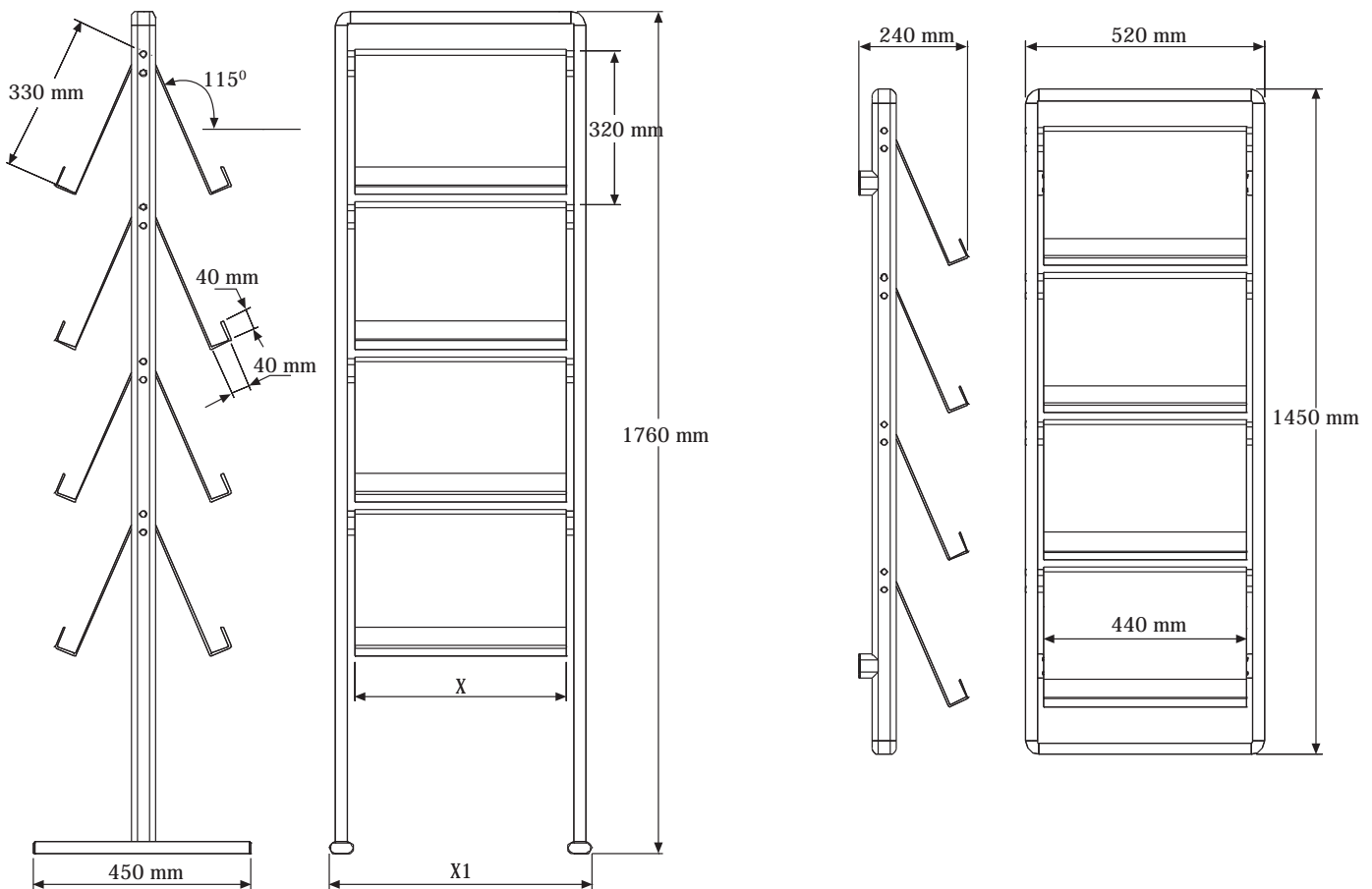


## WALL MOUNTED MODEL

MATERIAL: Silver anodised aluminium & acrylic shelf

		WEIGHT		PACKING SIZE
ARTICLE	CAPACITY	WITHOUT PACKING	WITH PACKING	*W X H X D
UBSSD20N24	8 X A4	11,000 kg	13,000 kg	550 X 1500 X 130 mm

\*W:Width H: Height D: Depth



Article livré en kit avec notice de montage. Acrylique épaisseur 4 mm (Roulettes en options)  
 Product is packed unasssembled. Shelves are made of 4 mm acrylic.  
 Wheels can be added as optional.