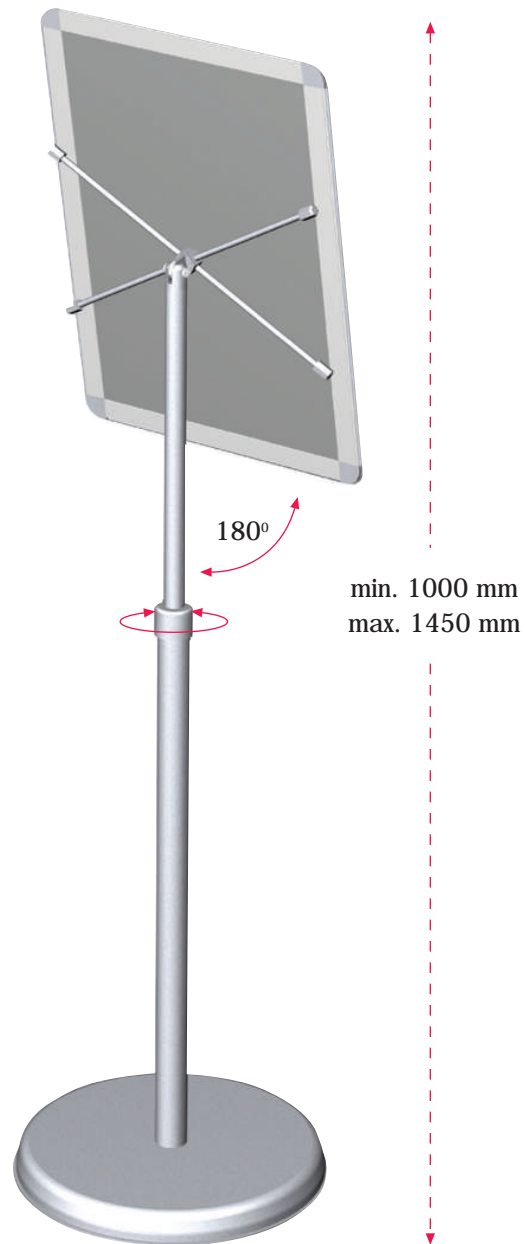
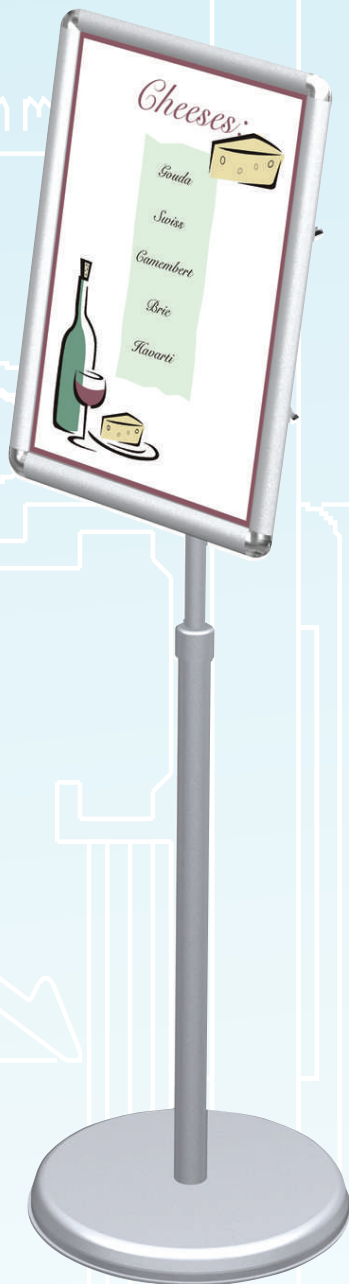


SUPPORT D'INFORMATION TELESCOPIQUE

TELESCOPIC MENUBOARD



Le cadre à clip orientable possède une feuille anti-reflet. La hauteur du panneau est ajustable de 1450 à 1000 mm.

Round or mitred corner options, and the anti-reflex cover are present for the snap frames of the menuboards. The height is adjustable between 1450 mm to 1000 mm.

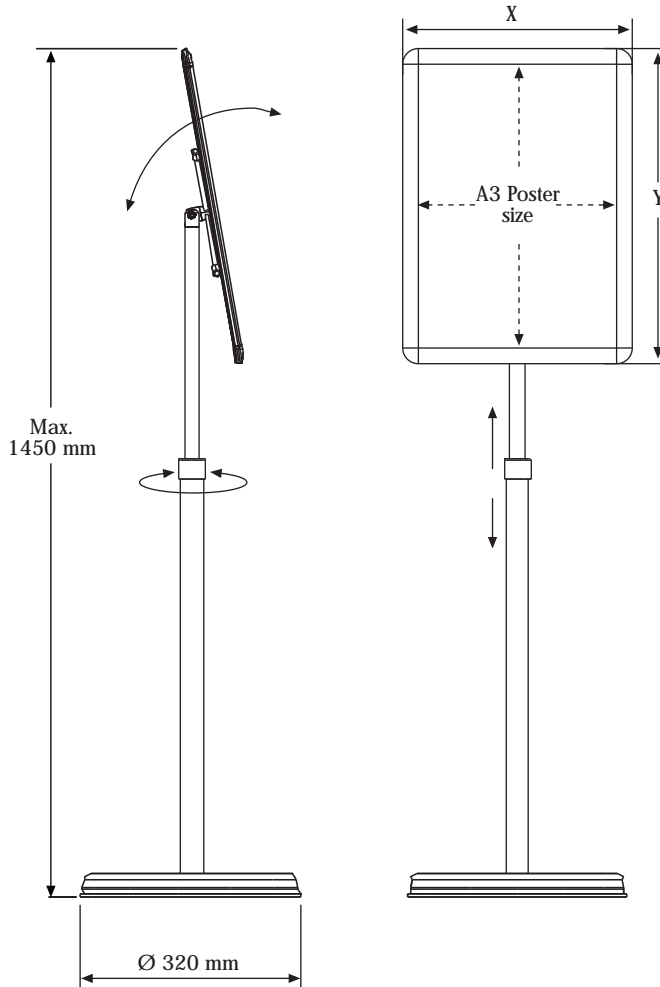
MENU D'INFORMATION TELESCOPIQUE

TELESCOPIC MENUBOARD

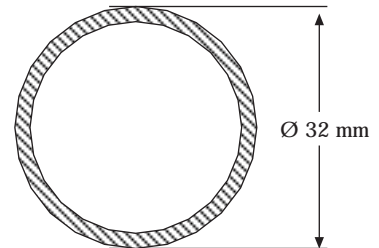
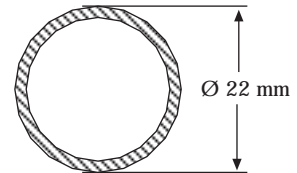
MATERIAL: Silver anodised aluminium PROFILE: 25 mm 45° - 25 mm round			
TELESCOPIC	EXTERNAL (x-y)	MAX HEIGHT	MIN HEIGHT
UTMBDNO0A3	326 X 449 mm	1450 mm	1000 mm

WEIGHT		PACKING SIZE
WITHOUT PACKING	WITH PACKING	*W X H X D
9,500 kg	11,500 kg	380 X 1070 X 60 mm 380 X 380 X 60

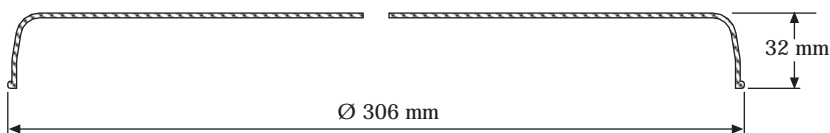
*W:Width H: Height D: Depth



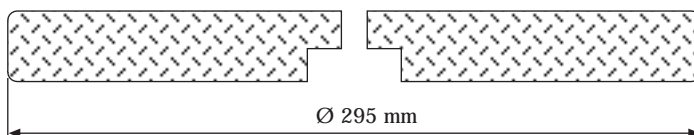
Iron pipe powdercoated 9006



Steel base cover RAL powdercoated 9006



Marble base
6,30 kg



Article livré en kit avec la notice de montage.
Packed unassembled with an easy mounting instruction sheet.