

PORTE-BROCHURE

DECORATIVE BROCHURE STAND

19mm



UDBS10D0A4



UDBS10Y0A4

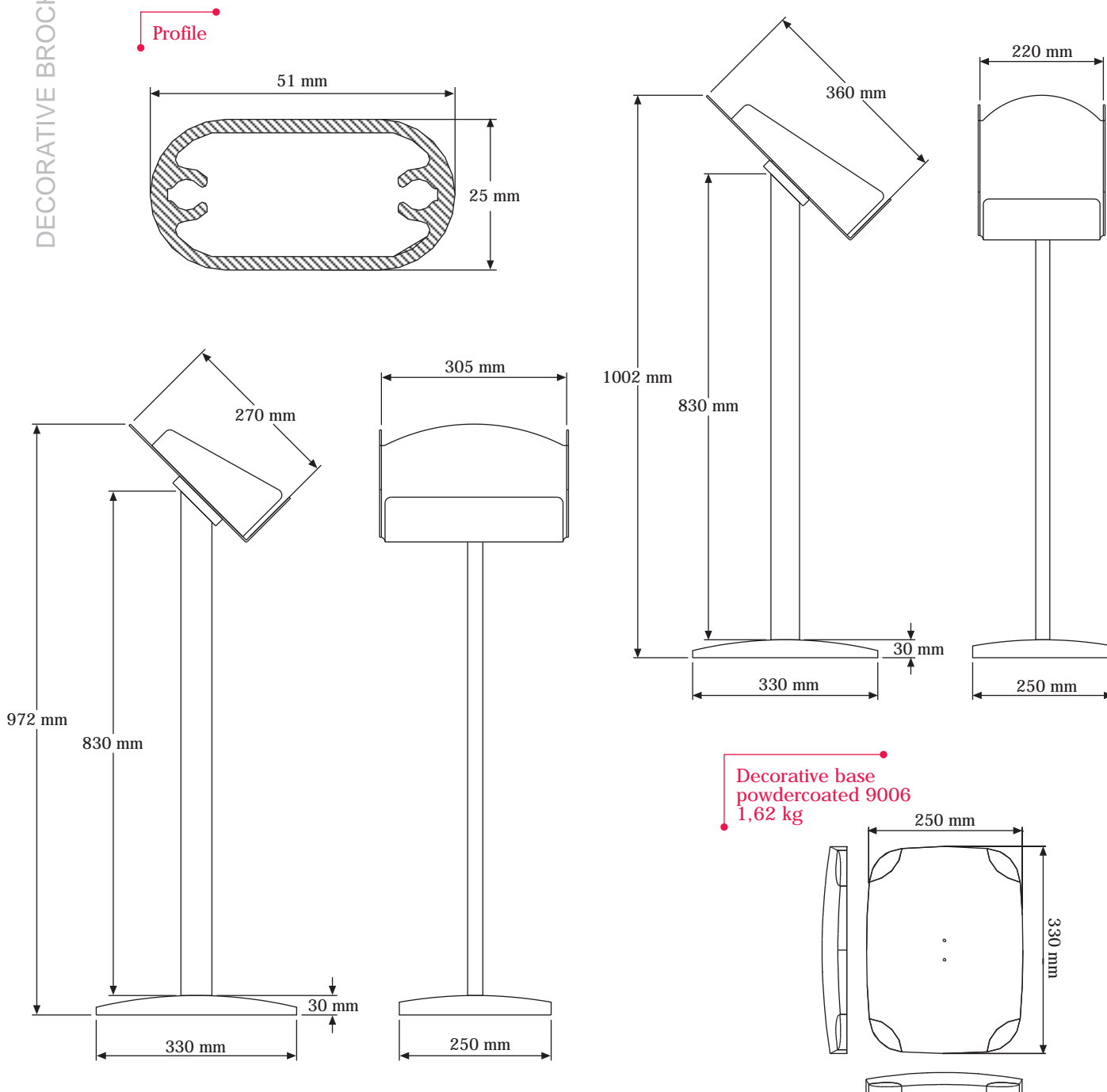
Disponible en A4 Vertical ou Horizontal.
Available in A4 size in portrait & landscape positions.

PORTE-BROCHURE

DECORATIVE BROCHURE STAND

MATERIAL: Silver anodised aluminium & acrylic		WEIGHT		PACKING SIZE
ARTICLE	DESCRIPTION	WITHOUT PACKING	WITH PACKING	*W X H X D
UDBS10Y0A4	A4 landscape	3,150 kg	3,450 kg	280 X 880 X 140 mm
UDBS10D0A4	A4 portrait	3,150 kg	3,450 kg	280 X 880 X 140 mm

*W:Width H: Height D: Depth



- Livré en kit avec la notice de montage.
- Polycarbonate Epaisseur: 3 mm
- Brochure holder is made of 3 mm polycarbonate.
- Decorative brochures are packed unassembled with an easy mounting instruction sheet.