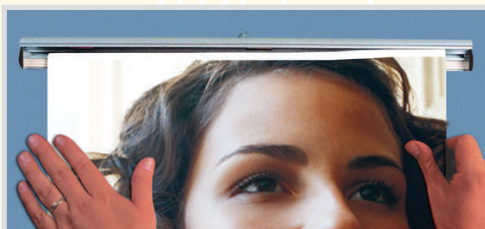


19mm



Chaque système comprend un profil haut et un profil bas.
One set includes the upper and the bottom profiles.

PROFIL CLIC-CLAC POUR AFFICHE

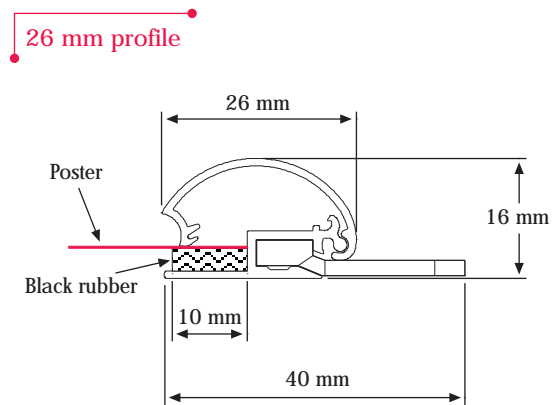
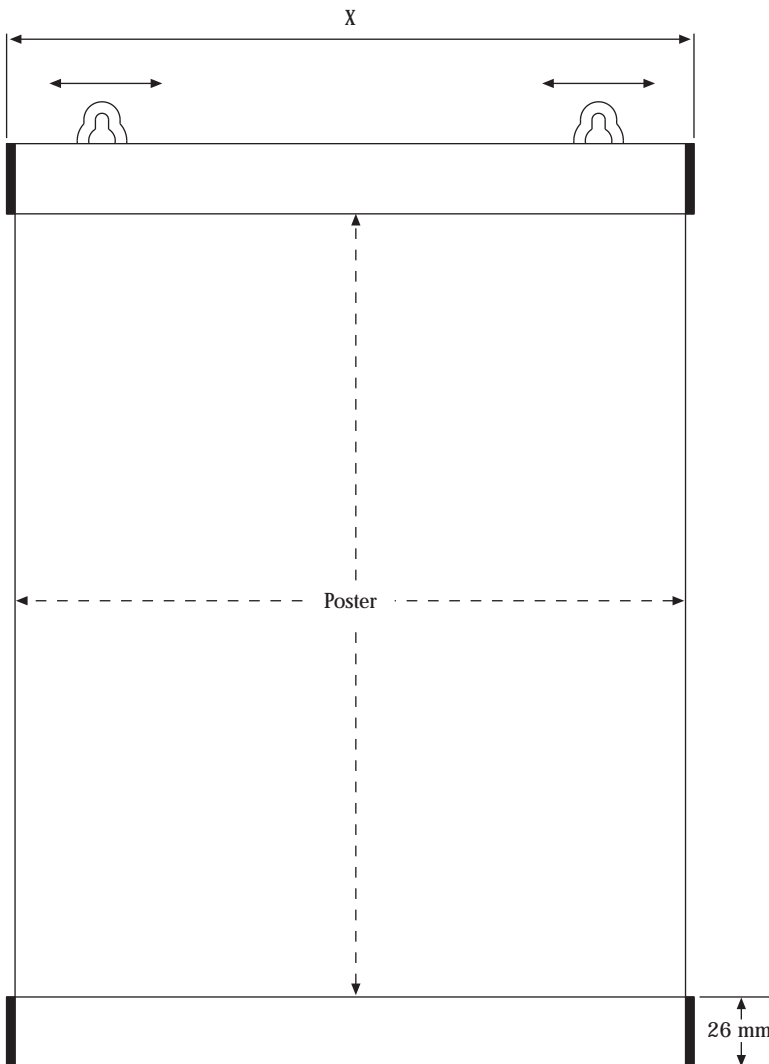
POSTER SNAP

MATERIAL: Silver anodised aluminium

PROFILE : 26 mm

ARTICLE	EXIERNAL (x)	POSTER	WEIGHT		PACKING SIZE (50 pcs)
			WITHOUT PACKING	WITH PACKING	*W X H X D
UPI26SN021	216 mm	210 mm	0,150 kg	8,000 kg	220 X 260 X 320 mm
UPI26SN030	303 mm	297 mm	0,170 kg	9,000 kg	220 X 360 X 320 mm
UPI26SN042	426 mm	420 mm	0,230 kg	11,500 kg	220 X 480 X 320 mm
UPI26SN050	506 mm	500 mm	0,280 kg	14,000 kg	220 X 560 X 320 mm
UPI26SN060	600 mm	594 mm	0,375 kg	20,000 kg	220 X 660 X 320 mm
UPI26SN070	706 mm	700 mm	0,400 kg	22,000 kg	220 X 760 X 320 mm
UPI26SN085	847 mm	841 mm	0,460 kg	25,000 kg	220 X 910 X 320 mm
UPI26SN100	1006 mm	1000 mm	0,550 kg	29,000 kg	220 X 1070 X 320 mm

*W:Width H: Height D: Depth



Le poster est tendu par un profilé en haut et un en bas, pincé sur 10 mm. Chaque kit est emballé dans un sac plastique.

In top snap 10 mm poster & in bottom snap 10 mm poster is placed within the clamping system. Single packed as a set in plastic bags